

**THE NETHERLANDS
(N E D E R L A N D)****COMMUNICATION**Concerning ⁽¹⁾

- approval granted
- ~~approval extended~~
- ~~approval refused~~
- ~~approval withdrawn~~
- ~~production definitely discontinued~~

of a type of headlamp pursuant to Regulation number 112.

Approval number: E4-112R-010427**Extension number: 00**

1. Trade name or mark of the device : CNSAE SAE SAEC
2. Manufacturer's name for the type of device : SW12009
3. Manufacturer's name and address : Foshan Sunway Auto Electrical Co., Ltd.
No.8 South Junye Road, Zone C, Shishan Scientific & Technological Park, Nanhai District, Foshan City,
Guangdong Province, 528225, P. R. China
4. If applicable, name and address of manufacturer's representative : Not applicable
5. Submitted for approval on : 9 January 2014
6. Technical service responsible for conducting approval tests : RDW
P.O. Box 777
2700 AT Zoetermeer
The Netherlands
7. Date of report issued by that service : 15 January 2014
8. Number of report issued by that service : RDW-97/24-0015125



9. Brief description:
- Category as described by the relevant marking ⁽²⁾ : HR PL
- Number and category(s) of filament lamp(s) : Not applicable (lamp consists of 6 LED's)
- Reference luminous flux used for the principal passing beam (lm) : Not applicable
- Principal passing beam operated at approximately (V) : Not applicable
- Measures according to paragraph 5.8 of this Regulation : Not applicable
- Number and specific identification code(s) of LED module(s) and for each LED module a statement whether it is replaceable or not : MD E4 0427
: ~~yes~~/no ⁽¹⁾
- Number and specific identification code(s) of electronic light source control gear(s) : Not applicable
- Total objective luminous flux as described in paragraph 5.9. exceeds 2,000 lumens : ~~yes/no~~/does not apply ⁽¹⁾
- The adjustment of the cut-off has been determined at : ~~10 m/25 m~~/does not apply ⁽¹⁾
- The determination of the minimum sharpness of the 'cut-off' has been carried out at : ~~10 m/25 m~~/does not apply ⁽¹⁾
10. Approval mark position : On the lens
11. Reason(s) for extension of approval : Not applicable



12. Approval : granted/~~extended/refused/withdrawn~~⁽¹⁾
13. Place : Zoetermeer
14. Date : 15 January 2014
15. Signature :



K.J. van Steensel

16. The list of documents deposited with the Administrative Service which has granted approval is annexed to this communication and may be obtained on request.
 - Information document: SW12009-00, 4 pages date 25 November 2013

⁽¹⁾ Strike out what does not apply.

⁽²⁾ Indicate the appropriate marking selected from the list below:

C, C, C, R, R PL, CR, CR, CR, C/R, C/R, C/R, C/, C/, C/,

→ ← → ← → ← → ← → ← → ← → ← → ← →

C, PL, C PL, C PL, CR PL, CR PL, CR PL, C/R PL, C/R PL, C/R PL,

→ ← → ← → ← → ← → ← → ← → ← → ← →

C/PL, C/PL, C/PL,

→ ← → ← → ← → ← → ← → ← → ← → ← →

HC, HC, HC, HR, HR PL, HCR, HCR, HCR, HC/R, HC/R, HC/R,

→ ← → ← → ← → ← → ← → ← → ← → ← →

HC/, HC/, HC/, HC PL, HC PL, HC PL, HCR PL, HCR PL, HCR PL, HC/R PL,

→ ← → ← → ← → ← → ← → ← → ← → ← →

HC/R PL, HC/R PL, HC/PL, HC/PL, HC/PL,

→ ← → ← → ← → ← → ← → ← → ← → ← →

Foshan Sunway Auto Electrical Co., Ltd.
No.8 South Junye Road, Zone C, Shishan Scientific &
Technological Park, Nanhai District, Foshan City,
Guangdong Province, 528225, P. R. China

November 25, 2013

Dear Sirs,

We would like to apply for the type approval according to ECE.

Function	ECE approval number
Driving beam	E4-112R-010427

Trade name or mark	: CNSAE SAE SAEC
Manufacturer's name for type of device	: SW12009
Name and address of manufacturer	: Foshan Sunway Auto Electrical Co., Ltd. No.8 South Junye Road, Zone C, Shishan Scientific & Technological Park, Nanhai District, Foshan City, Guangdong Province, 528225, P. R. China

We confirm that the above mentioned application has not been submitted to any other EC member state nor has any other member state granted a corresponding approval.

Sincerely



Mr. Zhang Dong
Foshan Sunway Auto Electrical Co., Ltd.



Information folder No. : SW12009-00
 First application date : November 25, 2013

1. Specification data

Type		SW12009
Function		Driving beam
Color		White
Rated	Voltage	12V
	Wattage	60W
Application Regulation ECE		R112.01 Class B
Location of marking	Number and category of light source	6*LED Non-replaceable light source
		Marked on housing
	Trade mark	CNSAE SAE SAEC
		Marked on housing
Approval mark	Marked on housing	

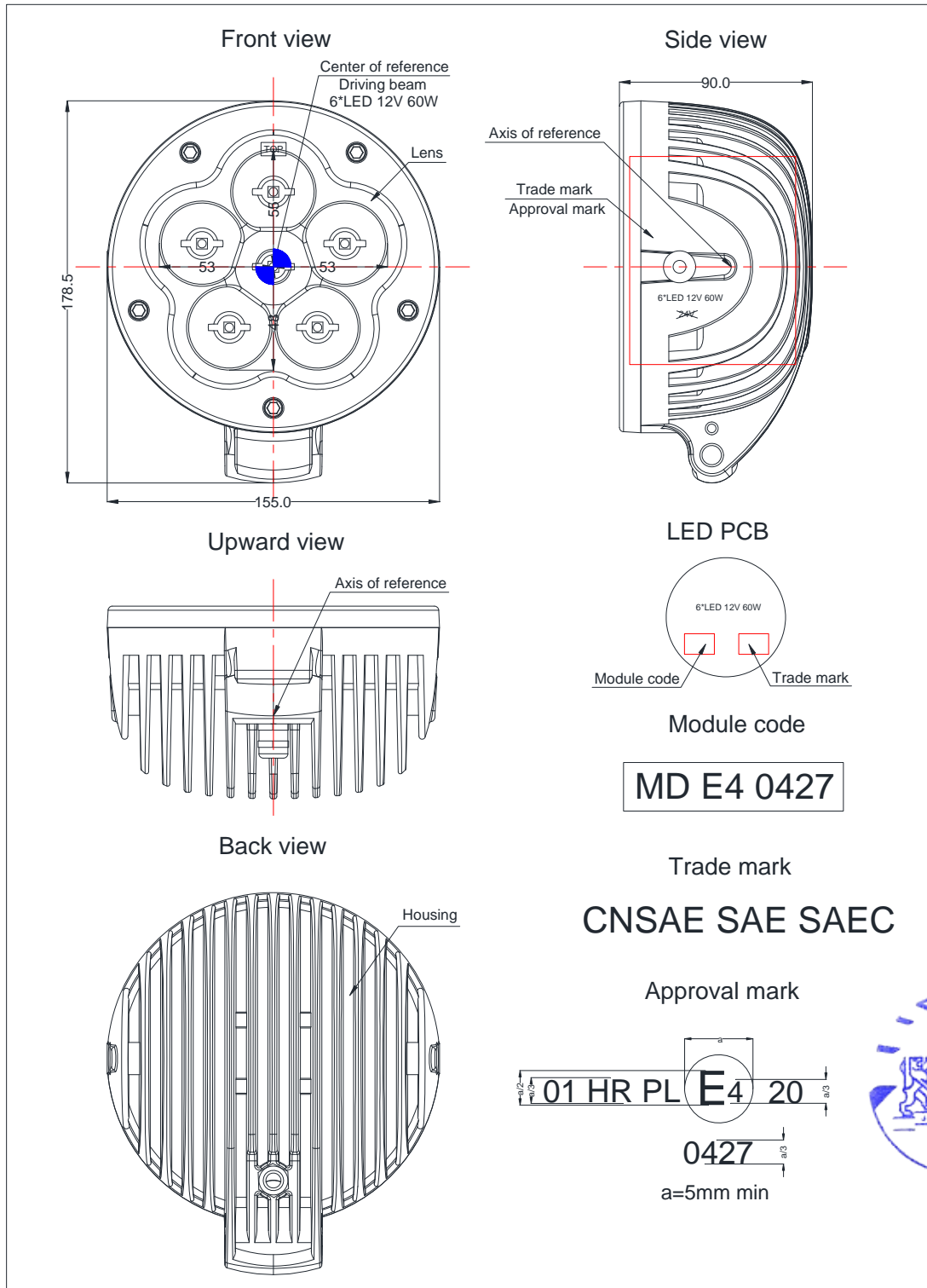
2. Construction and material

Construction	Material	Remarks
Lens	PC	Driving beam: Clear Base material: Polycarbonate Make: Bayer Material Science AG Type: Makrolon AL 2447, hue 551070 Coating and coating system: Make: Red Spot Paint & Varnish Co., Inc. Evansville, Ind. USA Type: UVT 200V
Reflector	PC	Painting on the inside surface
Housing	ADC12	--
Electrical Wiring	Copper covered with insulation	--

3. Name and address of manufacturer : Foshan Sunway Auto Electrical Co., Ltd.
 No.8 South Junye Road, Zone C, Shishan Scientific & Technological Park, Nanhai District, Foshan City, Guangdong Province, 528225, P. R. China

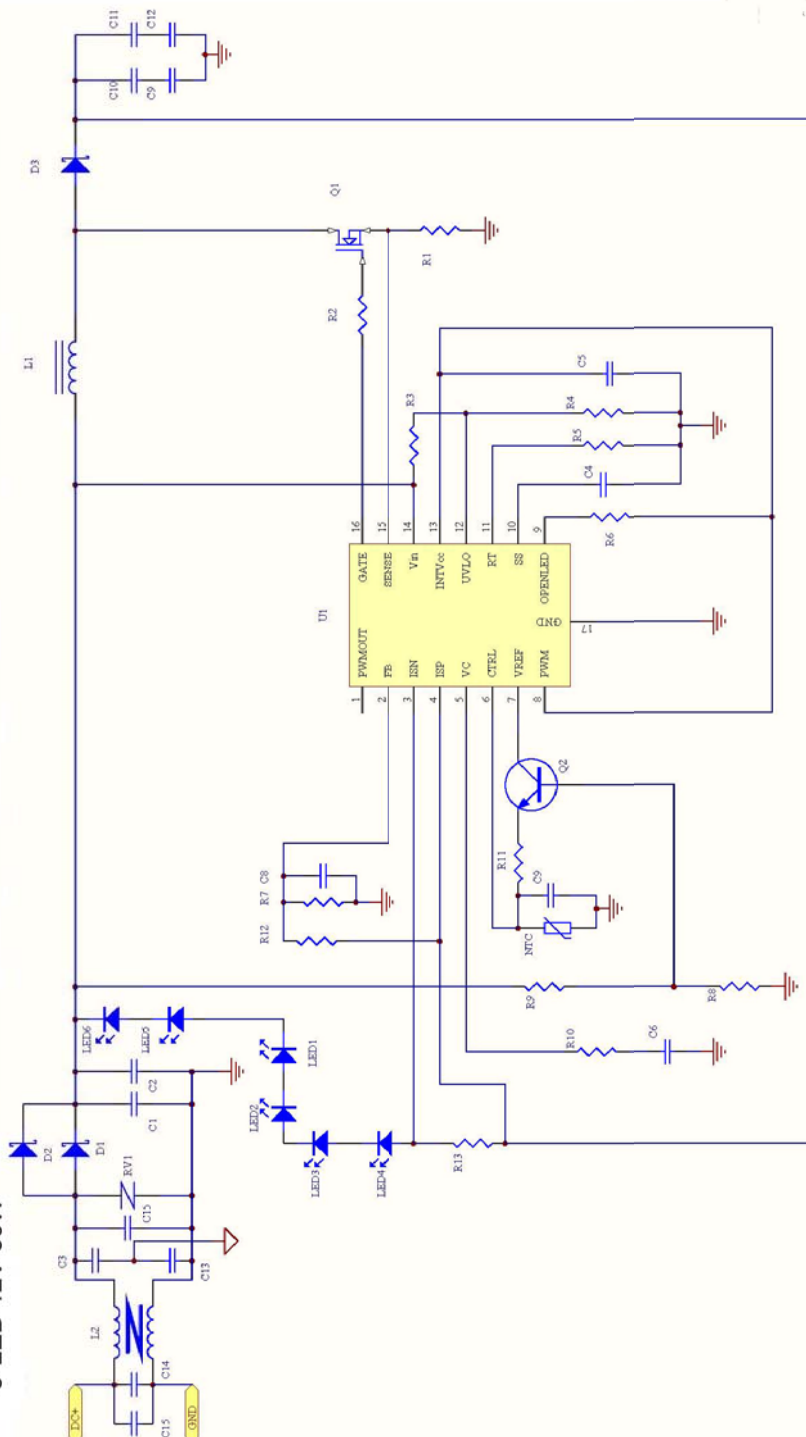
4. Name and address of the manufacturer's representative : N/A





Product Type	SW12009
General assembly drawing	
Drawing No.	SW12009-01

Driving beam
6*LED 12V 60W



Product Type	SW12009
Led circuit diagram	
Drawing No.	SW12009-02