

THE NETHERLANDS
(N E D E R L A N D)**COMMUNICATION**Concerning ⁽¹⁾

- approval granted
- ~~approval extended~~
- ~~approval refused~~
- ~~approval withdrawn~~
- ~~production definitely discontinued~~

of a type of headlamp pursuant to Regulation number 112.

Approval number: E4-112R-010496**Extension number: 00**

1. Trade name or mark of the device : CNSAE SAE SAEC
2. Manufacturer's name for the type of device : SW12267-1
3. Manufacturer's name and address : Foshan Sunway Auto Electrical Co., Ltd.
No. 8, South Junye Road, Zone C, Shishan
Scientific & Technological Park, Nanhai District,
Foshan City, Guangdong Province,
528225, P.R. China
4. If applicable, name and address of manufacturer's representative : Not applicable
5. Submitted for approval on : 10 August 2015
6. Technical service responsible for conducting approval tests : RDW
P.O. Box 777
2700 AT Zoetermeer
The Netherlands
7. Date of report issued by that service : 14 August 2015
8. Number of report issued by that service : RDW-97/24-0035041



9. Brief description:
- Category as described by the relevant marking⁽²⁾ : HR PL
- Number and category(s) of filament lamp(s) : Not applicable (Lamp consist of 2 LED's)
- Reference luminous flux used for the principal passing beam (lm) : Not applicable
- Principal passing beam operated at approximately (V) : Not applicable
- Measures according to paragraph 5.8 of this Regulation : Not applicable
- Number and specific identification code(s) of LED module(s) and for each LED module a statement whether it is replaceable or not : 1, MD E4 0496, non replaceable
- Number and specific identification code(s) of electronic light source control gear(s) : Not applicable
- Total objective luminous flux as described in paragraph 5.9. exceeds 2,000 lumens : ~~yes/no~~/does not apply⁽¹⁾
- The adjustment of the cut-off has been determined at : ~~10 m/25 m~~/does not apply⁽¹⁾
- The determination of the minimum sharpness of the 'cut-off' has been carried out at : ~~10 m/25 m~~/does not apply⁽¹⁾
10. Approval mark position : On the lens
11. Reason(s) for extension of approval : Not applicable



- 12. Approval : granted/~~extended/refused/withdrawn~~⁽¹⁾
- 13. Place : Zoetermeer
- 14. Date : 14 August 2015
- 15. Signature :



K.J. van Steensel RDW

- 16. The list of documents deposited with the Administrative Service which has granted approval is annexed to this communication and may be obtained on request.
 - Informatin document: SW12267-1-00, 4 pages dated August 4, 2015

⁽¹⁾ Strike out what does not apply.

⁽²⁾ Indicate the appropriate marking selected from the list below:

C, C, C, R, R PL, CR, CR, CR, C/R, C/R, C/R, C/, C/, C/,
 → ↔ → ↔ → ↔ → ↔ → ↔ → ↔ → ↔

C, PL, C PL, C PL, CR PL, CR PL, CR PL, C/R PL, C/R PL, C/R PL,
 → ↔ → ↔ → ↔ → ↔ → ↔

C/PL, C/PL, C/PL,
 → ↔

HC, HC, HC, HR, HR PL, HCR, HCR, HCR, HC/R, HC/R, HC/R,
 → ↔ → ↔ → ↔ → ↔ → ↔

HC/, HC/, HC/, HC PL, HC PL, HC PL, HCR PL, HCR PL, HCR PL, HC/R PL,
 → ↔ → ↔ → ↔ → ↔ → ↔

HC/R PL, HC/R PL, HC/PL, HC/PL, HC/PL,
 → ↔ → ↔ → ↔

Foshan Sunway Auto Electrical Co., Ltd.
No. 8, South Junye Road, Zone C, Shishan
Scientific & Technological Park, Nanhai District,
Foshan City, Guangdong Province, 528225, P.R. China

August 4, 2015

Dear Sirs,

We would like to apply for the type approval according to ECE.

Function	ECE approval number
Driving beam	E4-112R-010496

Trade name or mark	: CNSAE SAE SAEC
Manufacturer's name for type of device	: SW12267-1
Name and address of manufacturer	: Foshan Sunway Auto Electrical Co., Ltd. No. 8, South Junye Road, Zone C, Shishan Scientific & Technological Park, Nanhai District, Foshan City, Guangdong Province, 528225, P.R. China

We confirm that the above mentioned application has not been submitted to any other EC member state nor has any other member state granted a corresponding approval.

Sincerely



Mr. Zhang Dong
Foshan Sunway Auto Electrical Co., Ltd.



Information folder No. : SW12267-1-00
 First application date : August 4, 2015

1. Specification data

Type		SW12267-1
Function		Driving beam
Color		White
Rated	Voltage	12V
	Wattage	20W
Application Regulation ECE		R112.01 Class B PL
Location of marking	Number and category of light source	2*LED Non-replaceable light source
		Marked on housing
	Trade mark	CNSAE SAE SAEC
		Marked on lens
Approval mark	Marked on lens	

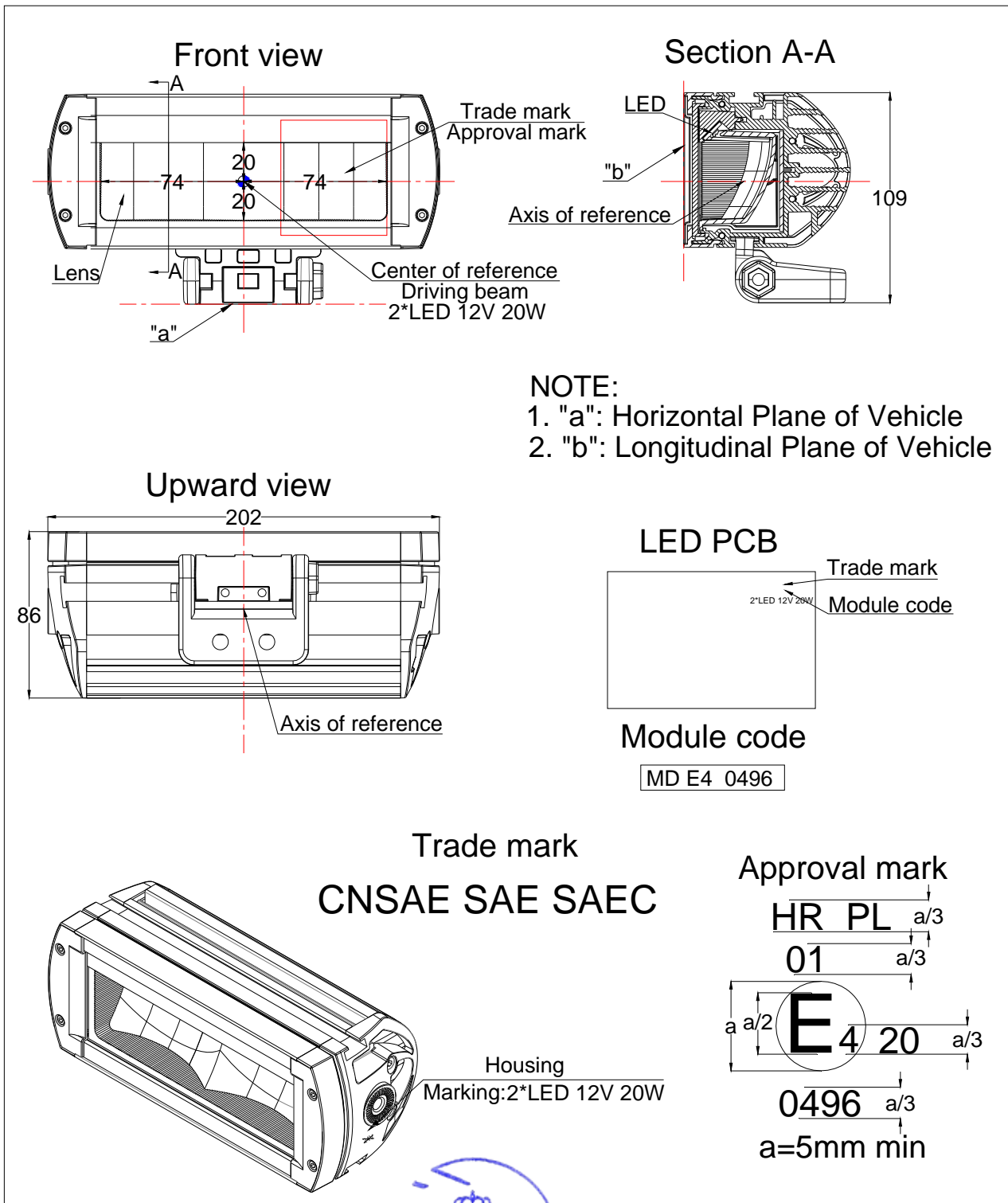
2. Construction and material

Construction	Material	Remarks
Lens	PC	Driving beam: Clear Base material: Polycarbonate Make: Bayer AG, 51368 Leverkusen Type: Makrolon AL 2447, hue 55/396 Coating and coating system: Make: Red Spot Paint & Varnish Co., Inc. Evansville, Ind. USA Type: SHP401/SHC4002
Reflector	PC	Painting on the inside surface Color: Metal silver
Housing	ADC12	--
Electrical Wiring	Copper covered with insulation	--

3. Name and address of manufacturer : Foshan Sunway Auto Electrical Co., Ltd.
 No. 8, South Junye Road, Zone C, Shishan
 Scientific & Technological Park, Nanhai District,
 Foshan City, Guangdong Province, 528225, P.R. China

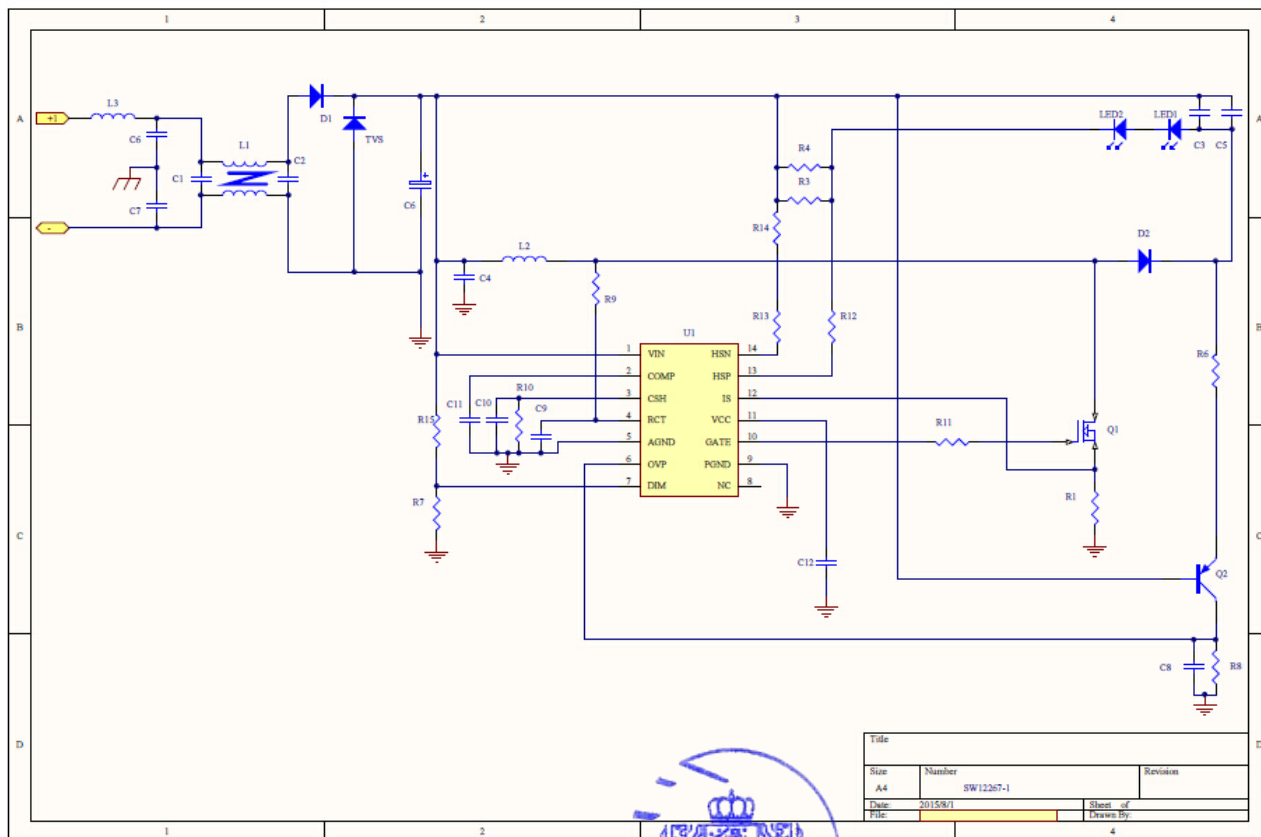
4. Name and address of the manufacturer's representative : N/A





Product Type	SW12267-1
General assembly drawing (Left side)	
Drawing No.	SW12267-1-01

Driving beam
2*LED 12V 20W



Product Type	SW12267-1
Led circuit diagram	
Drawing No.	SW12267-1-02